

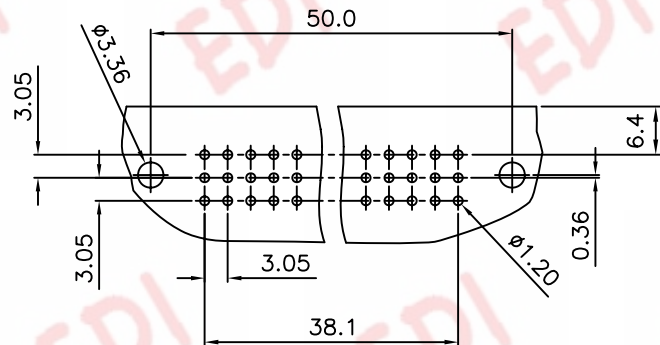
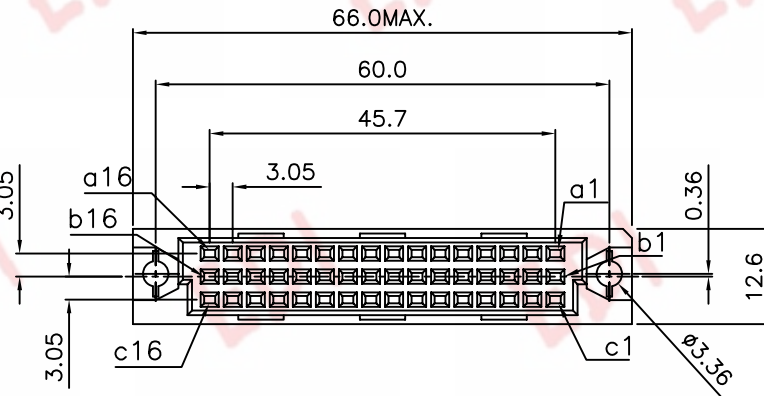
25053 Series Female, Style C/2 solder type

FEATURES:

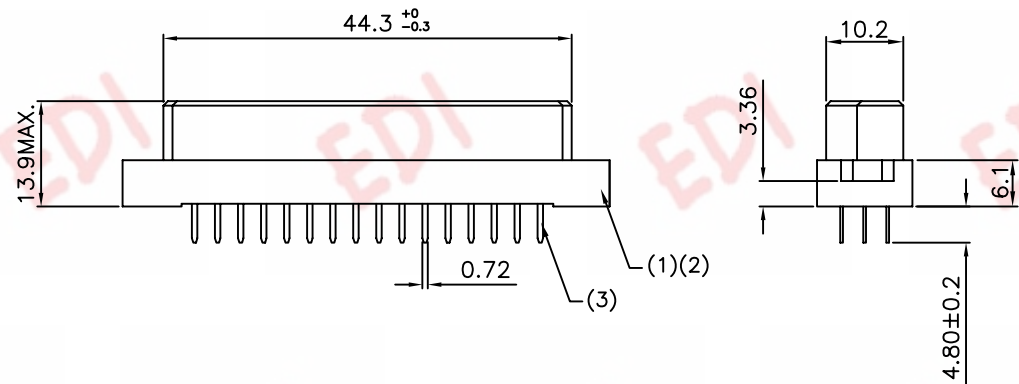
- . 48 Circuits
- . Housing: PBT+30% Glass Filled UL 94V-0
- . Contact: Phosphor Bronze
- . Contact Plating: Gold Plating

SPECIFICATIONS:

- . Current rating: 2A
- . Temperatur range: -55°C ~+ 125°C
- . Contact resistance: 20mΩ max.
- . Mating Force: .93N max. per pin



Recommended P.C Board
Hole Layout



TOLERANCE

| | |
|------------|----------|
| X.X=±.20 | X°=±2° |
| X.XX=±.10 | X.X°=±1° |
| X.XXX=±.05 | |

*** "RoHS" ***

零件

EDI-No.

Specification

Color

Qty

EDI Electron Drive Index Co.,Ltd

CUSTOMER NO

PART NO

DRAW

APPROVER

DATE

UNIT

REV.

9-2-25053-48F2223-PB

LIANG

100/3/31

mm

A

