

RECOMMENDED P.C. BOARD HOLE DIMM.

Specifications

Electrical

Voltage Rating: 100V(AC)

Current Rating: 2A

Contact Resistance: 20m Ω max.

Dielectric Withstanding Voltage: 800V AC/1min.

Insulation Resistance: 1000M Ω min.

Material

Circuits: 2-16

Insulator: Nylon 66 UL 94V-0

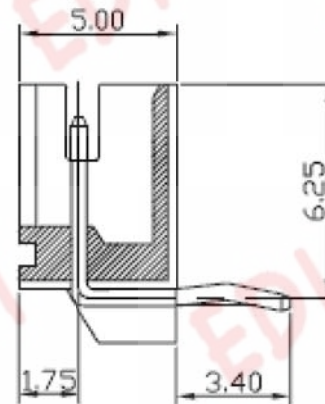
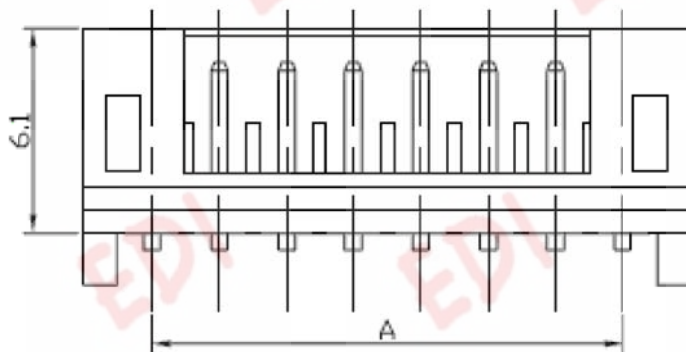
Color: White or Natural

Contact: Brass 0.50mm(0.20") Square Pin

Plating: Tin or Gold Plated

Temperature Range: -25° C--+85° C

Applicable PC Board Thickness: 0.8 to 1.6mm



Poles	Dimension mm (in.)		Part No.	Note.
	A	B		
2	2.0(0.079)	6.04(0.237)	2001J-02-RT	
3	4.0(0.157)	8.04(0.316)	2001J-03-RT	
4	6.0(0.236)	10.04(0.395)	2001J-04-RT	
5	8.0(0.315)	12.04(0.473)	2001J-05-RT	
6	10.0(0.394)	14.06(0.473)	2001J-06-RT	
7	12.0(0.472)	16.06(0.631)	2001J-07-RT	
8	14.0(0.551)	18.08(0.711)	2001J-08-RT	
9	16.0(0.630)	20.08(0.790)	2001J-09-RT	
10	18.0(0.709)	22.10(0.870)	2001J-10-RT	
11	20.0(0.787)	24.10(0.949)	2001J-11-RT	
12	22.0(0.886)	26.12(1.027)	2001J-12-RT	
13	24.0(0.945)	28.12(1.106)	2001J-13-RT	
14	26.0(1.024)	30.14(1.203)	2001J-14-RT	
15	28.0(1.102)	32.14(1.283)	2001J-15-RT	
16	30.0(1.181)	34.14(1.363)	2001J-16-RT	

***符合 "RoHS" ***

零件

EDI-No.

Specification

Color

Qty

EDI Electron Drive Index Co.,Ltd

CUSTOMER NO

PART NO

DRAW

APPROVER

DATE

UNIT

REV.

9-3-2000-WR-XX

JULIE

98/10/19

mm

A

